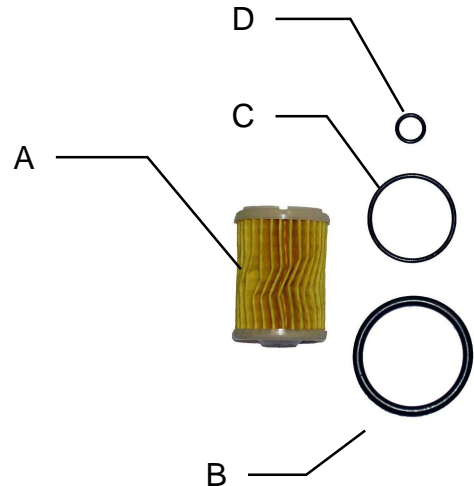
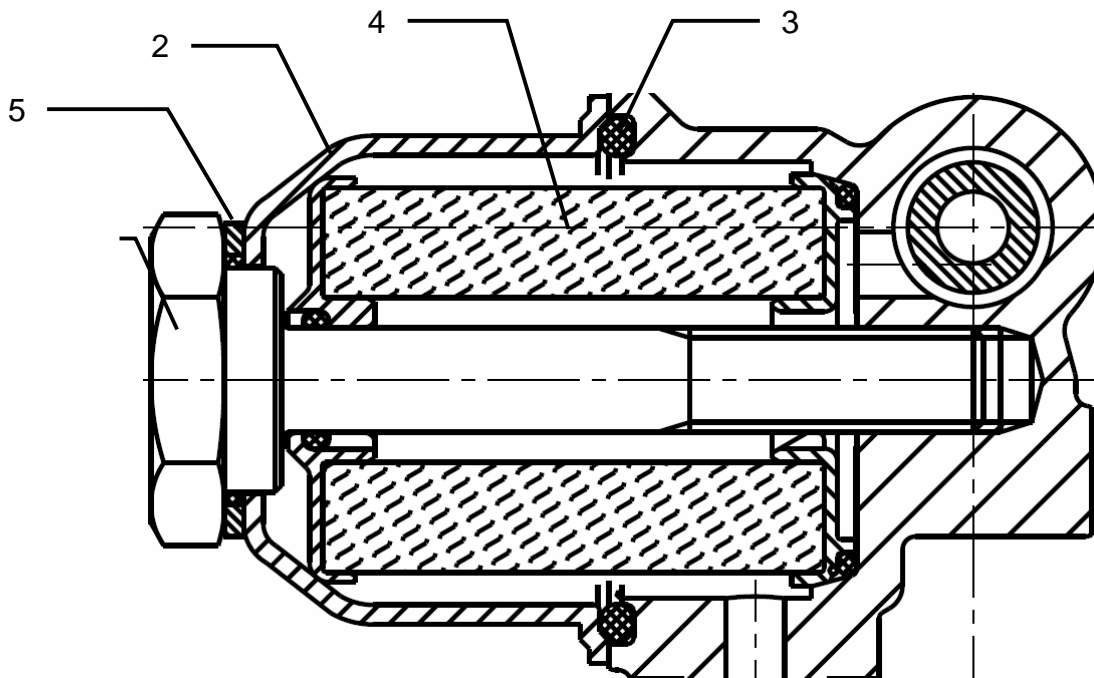


Maintenance kit for LPG liquid-phase filter

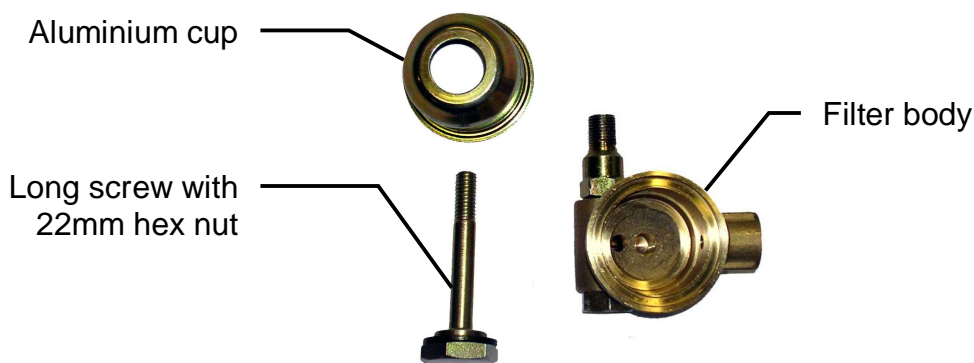
- A) paper cartridge;
- B) brown rubber o-ring \varnothing 34,52x3,53;
- C) thin black rubber o-ring \varnothing 26,7x1,78;
- D) metal/rubber washer \varnothing 17,4x24x1,5.



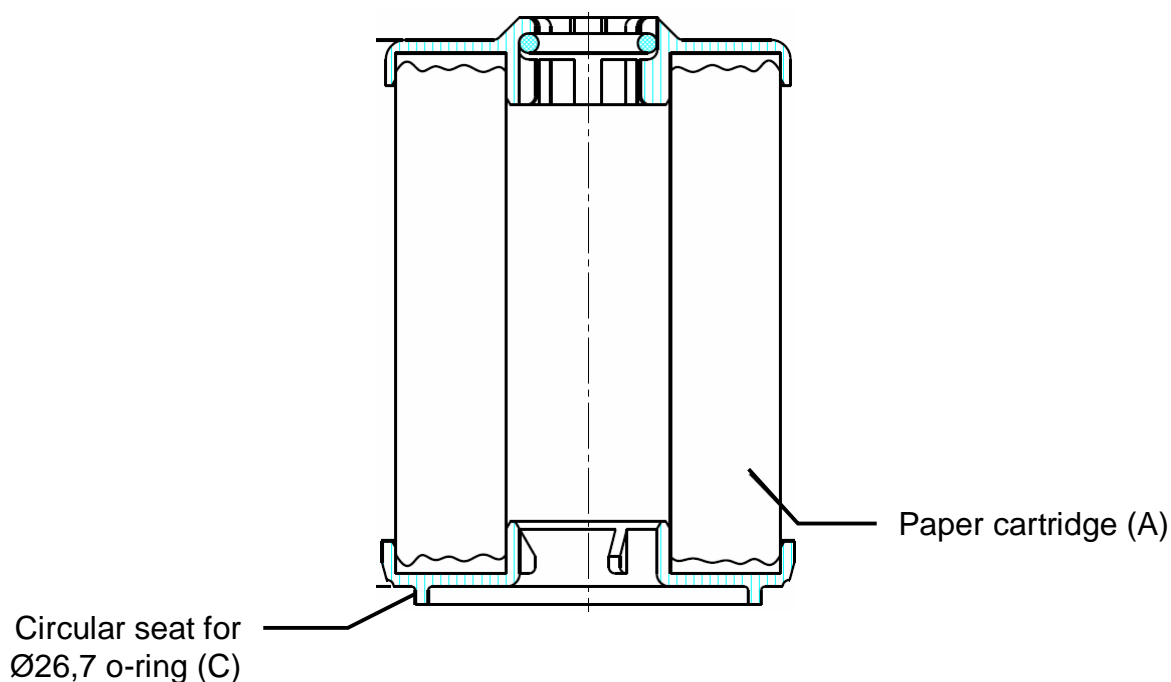
With an 22mm Allen wrench, un-tight the hex nut on top of the filter (1). When the screw is loose, pull away the aluminium cap (2) from the filter body. Now the brown rubber o-ring (3) at the base of the aluminium cup is exposed and can be removed. Blow away any eventual dust residue inside the filter body.



Slip off the used paper cartridge (4) from the long screw and discard it. You can now slip off the long screw from the aluminium cup: the sealing metal/rubber washer (5) on the base of the hex nut is now exposed and should be replaced with new one (D).



Take now the new paper cartridge (A) and fit the new black rubber o-ring (C) on the plastic circular seat, on the bottom of the cartridge.



Put now the new paper cartridge (A) into the aluminium cup, so its black rubber o-ring (C) will face the filter body; then push the long screw into the aluminium cup and thru the paper cartridge. Finally put in place the new brown rubber o-ring (B), at the base of the aluminium cup.

Now put the aluminium cup back in place, taking care to align the long screw with its threaded hole on the filter body. Use an Allen wrench to tighten the hex nut to 6Nm.